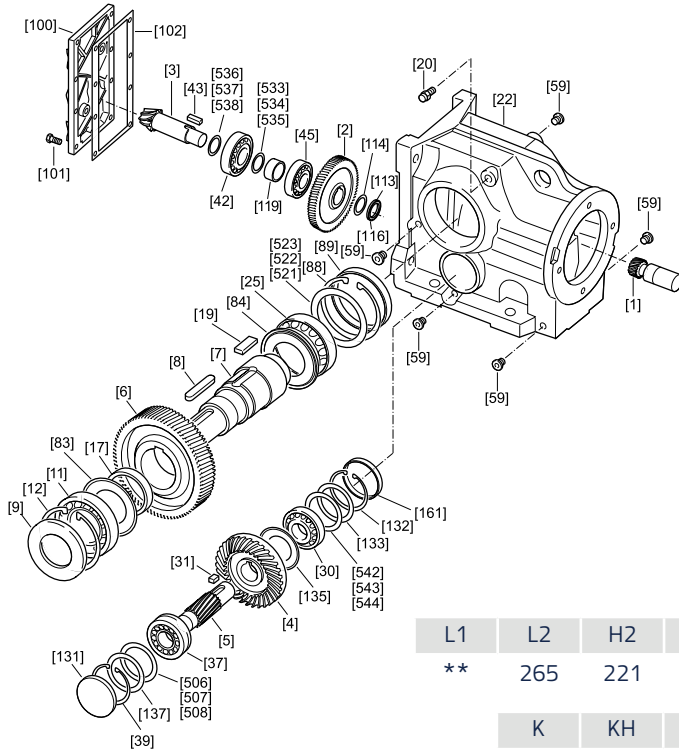


# دیتاشیت و مشخصات فنی گیربکس بول هلیکال شریف

## اجزاء سازنده

### Components

No.	Name
[1]	Pinion
[2]	Gear
[3]	Pinion shaft
[4]	Gear
[5]	Pinion shaft
[6]	Gear
[7]	Output shaft
[8]	Key
[9]	Oil seal
[11]	Rolling bearing
[12]	Retaining ring
[17]	Spacer tube
[19]	Key
[20]	Breather valve
[22]	Gear unit housing
[25]	Rolling bearing
[30]	Rolling bearing
[31]	Key
[37]	Rolling bearing
[39]	Retaining ring
[42]	Rolling bearing
[43]	Key
[45]	Rolling bearing
[59]	Screw plug
[83]	Shield ring
[84]	Shield ring
[88]	Retaining ring
[89]	Closing cap
[100]	Inspection cover
[101]	Hex head screw
[102]	Gasket
[113]	Slotted nut
[114]	Multi-tang washer
[116]	Thread lock



No.	Name
[119]	Spacer tube
[131]	Closing cap
[132]	Retaining ring
[133]	Supporting ring
[135]	Shield ring
[137]	Supporting ring
[506]-[544]	Shim

## نقشه انفجاری

### Exploded view drawing

## K57



## مشخصات عمومی

### General information

فولاد	جنس دنده
Steel	Gear material
چدن	جنس پوسته
Iron	Shell material
35 (mm)	قطر شافت یا هالو شافت خروجی Output shaft or hollow shaft diameter
40 (mm)	قطر هالو شافت در صورت استفاده از شیرینگ دیسک The diameter of the hollow shaft with shrink disk

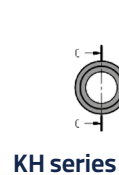
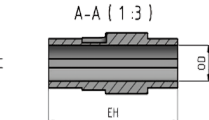
## ابعاد و اندازه

### Dimensions and size

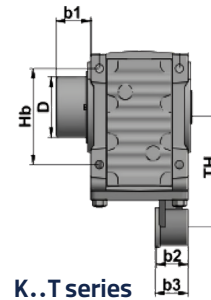
L1	L2	H2	Ch	CL	W	Wb	Hb	OL	Lb	Od	K	Kh	OD	EH
**	265	221	132	80	158	130	150	70	130	35	10	30	35	168
K	KH	OD2	EH2	Hb	D	b1	b2	b3	TH	d2	d3	b		
10	38.3	40	197	150	N/A	N/A	55	60	192	N/A	N/A	N/A		



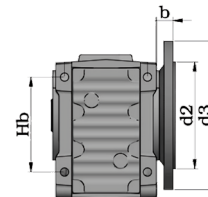
KA series



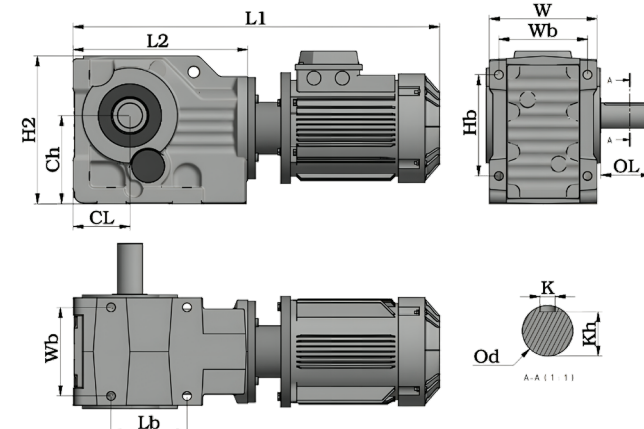
KH series



K..T series



KF series



# مشخصات فنی

## Technical Information

Power		Speed	Pole	n2	Ratio	T	Fs
(kw)	(hp)	(rpm)	Num	(rpm)		(N.m)	
0.37	0.5	1000	6P	18	54.13	196	2.56
0.37	0.5	1000	6P	22	42.74	161	3.12
0.37	0.5	1500	4P	27	54.13	131	3.92
0.37	0.5	1500	4P	34	42.74	104	4.8
0.37	0.5	1500	4P	44	32.63	80	6.1
0.37	0.5	1500	4P	54	27.05	65	7.5
0.37	0.5	1500	4P	65	22.34	54	9.1
0.37	0.5	1500	4P	72	20.15	49	10
0.37	0.5	1500	4P	95	15.36	37	12
0.55	0.75	1000	6P	17	54.13	309	1.71
0.55	0.75	1000	6P	22	42.74	239	2
0.55	0.75	1500	4P	27	54.13	195	2.6
0.55	0.75	1500	4P	34	42.74	154	3.2
0.55	0.75	1500	4P	44	32.63	119	4.1
0.55	0.75	1500	4P	54	27.05	97	5
0.55	0.75	1500	4P	65	22.34	81	6.1
0.55	0.75	1500	4P	72	20.15	73	6.6
0.55	0.75	1500	4P	95	15.38	55	8.4
0.75	1	1500	4P	27	54.13	265	1.96
0.75	1	1500	4P	34	42.74	211	2.4
0.75	1	1500	4P	44	32.63	163	3
0.75	1	1500	4P	54	27.05	133	3.76
0.75	1	1500	4P	65	22.34	110	4.58

Power		Speed	Pole	n2	Ratio	T	Fs
(kw)	(hp)	(rpm)	Num	(rpm)		(N.m)	
0.75	1	1500	4P	70	20.65	102	4.78
0.75	1	1500	4P	82	17.64	87	5.7
0.75	1	1500	4P	95	15.41	75	6.34
0.75	1	1500	4P	107	13.46	67	7.2
1.1	1.5	1500	4P	16	91.6	657	3.6
1.1	1.5	1500	4P	27	54.13	389	1.31
1.1	1.5	1500	4P	34	42.74	309	1.6
1.1	1.5	1500	4P	44	32.63	239	2
1.1	1.5	1500	4P	54	27.05	195	2.51
1.1	1.5	1500	4P	65	22.34	162	3
1.1	1.5	1500	4P	70	20.65	150	3.19
1.1	1.5	1500	4P	82	17.64	128	3.8
1.1	1.5	1500	4P	95	15.41	111	4.23
1.1	1.5	1500	4P	107	13.46	98	4.81
1.5	2	1500	4P	34	42.74	421	1.2
1.5	2	1500	4P	44	32.63	326	1.54
1.5	2	1500	4P	54	27.05	265	1.88
1.5	2	1500	4P	65	22.34	220	2.29
1.5	2	1500	4P	70	20.65	205	2.39
1.5	2	1500	4P	82	17.64	175	2.85
1.5	2	1500	4P	95	15.41	151	3.17
1.5	2	1500	4P	107	13.46	134	3.61
1.5	2	1500	4P	123	11.74	116	4.19

Power		Speed	Pole	n2	Ratio	T	Fs
(kw)	(hp)	(rpm)	Num	(rpm)		(N.m)	
1.5	2	1500	4P	144	10.05	99	4.45
1.5	2	1500	4P	156	9.27	92	5.3
2.2	3	1500	4P	65	22.34	323	1.53
2.2	3	1500	4P	70	20.65	300	1.59
2.2	3	1500	4P	82	17.64	256	1.9
2.2	3	1500	4P	95	15.41	221	1.97
2.2	3	1500	4P	107	13.46	196	2.4
2.2	3	1500	4P	123	11.74	171	2.79
2.2	3	1500	4P	144	10.05	146	2.97
2.2	3	1500	4P	156	9.27	135	3.53
3	4	1500	4P	70	20.65	409	1.2
3	4	1500	4P	82	17.64	349	1.43
3	4	1500	4P	95	15.41	302	1.48
3	4	1500	4P	107	13.46	268	1.8
3	4	1500	4P	123	11.74	233	2.1
3	4	1500	4P	144	10.05	199	2.23
3	4	1500	4P	156	9.27	184	2.65
4	5.5	1500	4P	95	15.41	402	1.15
4	5.5	1500	4P	107	13.46	357	1.31
4	5.5	1500	4P	123	11.74	311	1.52
4	5.5	1500	4P	144	10.05	265	1.62
4	5.5	1500	4P	156	9.27	245	1.93
4	5.5	1500	4P	205	7.08	186	2.42